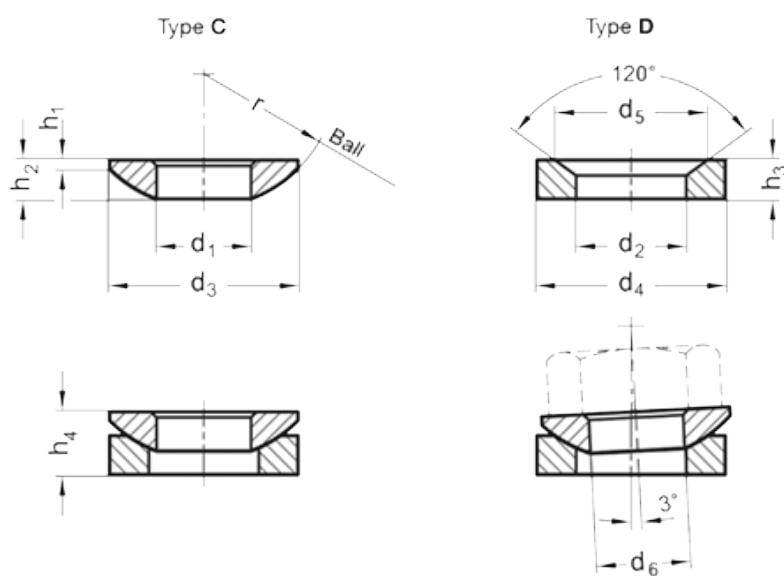


Article number: 208050401

Description: E+G Sphericalwasher male DIN 6319-50-C-NI
Stainless Steel 1.4305

Measures



$d_1 = 50.0$

$d_3 = 92$

$d_6 = M48$

$H_1 = 8.0$

$H_2 = 21.0$

$H_4 = 35.5$

$r = 67$